

Coolasure Series

Air Cooler



Customer Values

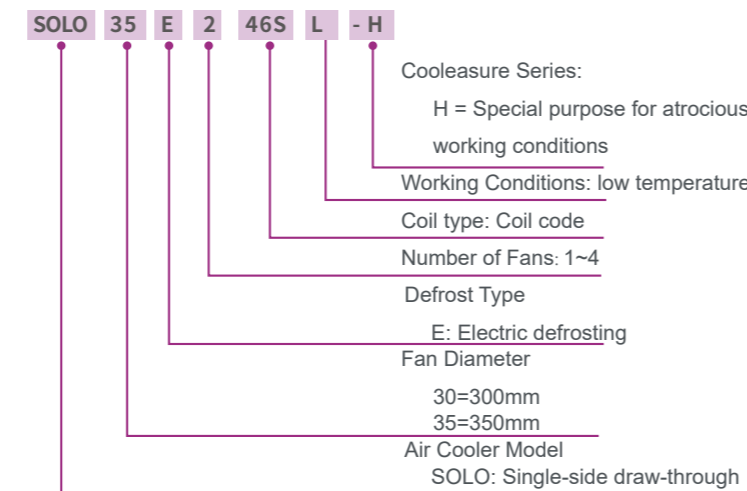
- Adapt to the applications of a frequent door opening, harsh humidity and temperature conditions
- Less fin frosting, higher melting efficiency
- Longer service life, reduced maintenance costs

Product Features

- Added wind heating tapes to avoid wind ring icing and ensure normal motor operation
- Optimized heat exchanger fin spacing, improving frosting and ensuring the good performance of the heat exchanger
- Hydrophilic aluminum foils for fins, effectively reducing frost accumulation
- Unique logo design, distinguishing from the traditional chiller models

* Testing and comparing with the same series of single-outlet air cooler of competitors

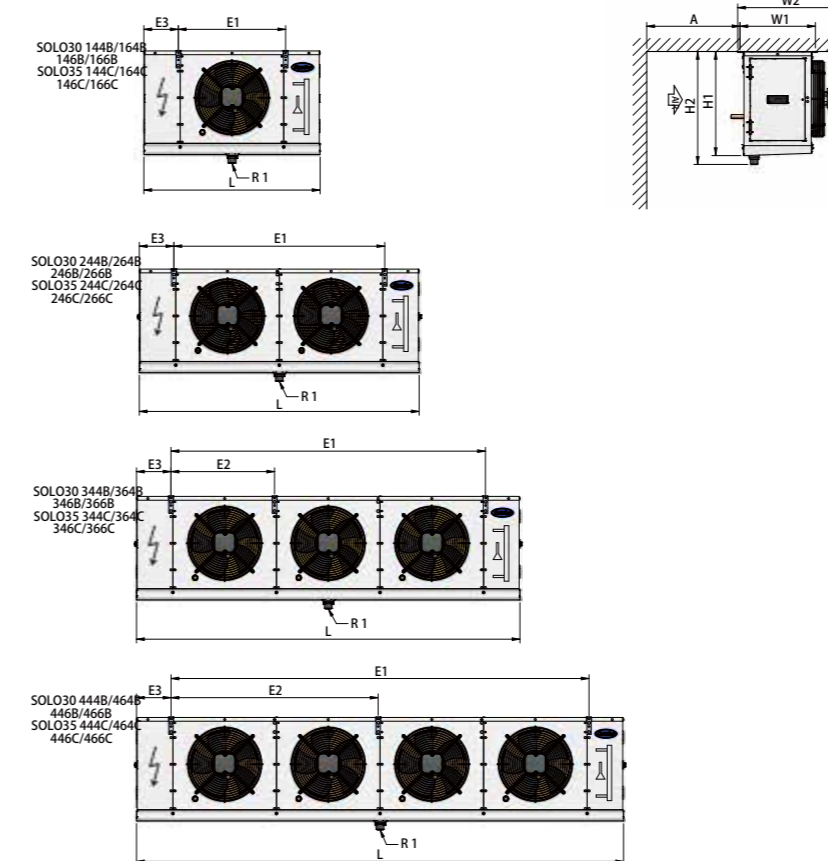
Naming Rule of Air Cooler



Applicable Working Conditions

- Cold storage where doors are opened and closed frequently or left open for long periods
- Occasions such as basements located in the southern humid environment and high ambient humidity
- Refrigerated warehouse panels sharpened by the renovation store
- Need to be installed near the door due to space constraints

Dimensions of SOLO



Performance Parameters (SOLO 30/35)

Type DUO 35 Model	Model							Cooling Capacity R404A		Connection					Fan 50 Hz			
	Fan Dimension (Cm)	Number of Motors	Coil Rows	Fin Distance	Coil Code	Atrocious Working Conditions	SC3	SC3	SC3					Rotation Speed	Input Power	Input Current	Power Supply	
									Heat Transfer Temperature Difference /K	Evaporating Temperature /°C	Pipeline Volume	Heat Exchange Area	Air Volume					Air Throw
kW	dm ³	m ²	m ³ /h	m	dB(A)	inch	inch	min ⁻¹	W	A	V							
SOLO	30	1	4	9	F	-H	1.26	2	3.8	1565	9	57	1/2"	5/8"	1367	85	0.4	230V-1
SOLO	30	2	4	9	F	-H	2.57	3.9	8.3	3128	10	60	1/2"	5/8"	1367	170	0.8	230V-1
SOLO	35	1	4	9	S	-H	1.76	2.5	5	2683	12	63	1/2"	5/8"	1337	163	0.8	230V-1
SOLO	35	1	6	9	S	-H	2.30	3.8	7.5	2562	11	63	1/2"	5/8"	1320	163	0.8	230V-1
SOLO	35	2	4	9	S	-H	3.41	4.8	10	5366	14	66	1/2"	7/8"	1337	326	1.6	230V-1
SOLO	35	2	6	9	S	-H	4.65	7.2	15	5124	13	66	1/2"	7/8"	1320	326	1.6	230V-1
SOLO	35	3	4	9	S	-H	5.26	7.2	16	8048	15	68	5/8"	1 1/8"	1337	489	2.4	230V-1
SOLO	35	3	6	9	S	-H	6.96	11	23	7687	14	68	5/8"	1 1/8"	1320	489	2.4	230V-1
SOLO	35	4	4	9	S	-H	7.13	9.5	21	10731	16	69	5/8"	1 1/8"	1337	652	3.2	230V-1
SOLO	35	4	6	9	S	-H	9.30	14	32	10249	15	69	5/8"	1 1/8"	1320	652	3.2	230V-1

Model	External Dimension									Electric Defrosting				Weight
	230V - 1									230V - 1				Net Weight
	L	W1	W2	H1	H2	E1	E2	E3	A	Coil	Water Pan	Heater Tape	Total	P
mm	mm	mm	mm	mm	mm	mm	mm	mm	mm	W	W	W	kW	kg
SOLO30E149FL-H	790	340	460	470	510	485	-	155	420	750	300	128	1.18	31
SOLO30E249FL-H	1265	340	460	470	510	950	-	155	420	2100	500	256	2.86	34
SOLO35E149SL-H	840	340	460	520	560	535	-	155	420	1500	350	110	1.96	30
SOLO35E169SL-H	840	340	460	520	560	535	-	155	420	1500	350	110	1.96	32
SOLO35E249SL-H	1365	340	460	520	560	1050	-	155	420	2250	550	220	3.02	50
SOLO35E269SL-H	1365	340	460	520	560	1050	-	155	420	2250	550	220	3.02	55
SOLO35E349SL-H	1880	340	460	520	560	1570	520	155	420	3150	750	330	4.23	67
SOLO35E369SL-H	1880	340	460	520	560	1570	520	155	420	3150	750	330	4.23	78
SOLO35E449SL-H	2395	340	460	520	560	2085	1035	155	420	4200	950	440	5.59	88
SOLO35E469SL-H	2395	340	460	520	560	2085	1035	155	420	4200	950	440	5.59	100