

# Taurus Series

LT Fixed Speed Scroll Condensing Units



**Model: 2~5HP**  
**Evaporating Temperature: -30C~-15° C**  
**Refrigerant option: R404A**



**Model: 6~7HP**  
**Evaporating Temperature: -30° C~-15° C**  
**Refrigerant option: R404A**



**Model: 9~16HP**  
**Evaporating Temperature: -45° C~-15° C**  
**Refrigerant option: R404A**

## Customer Values

- Compression and condensation integrated machine, easy and flexible installing, no machine room needed, saving time and money
- Vortex machine spray application adopted, light, low vibration, low noise, without noise complaints
- PCB intelligent control, high energy efficiency ratio, lower store operating cost
- Condensing coils with high cooling capacity, suitable for 48°C ambient temperature applications, with -30°C as an option, to meet various customer needs
- 485 communication system, optional remote monitoring

## Product Features

- Well-known low-temperature scroll compressor, highly reliable, high energy efficiency ratio, low noise
- Step less linear regulation of fan speed (SCR), little system fluctuation, perfect match with load demands
- PCB control, automatically adjusting cooling output with the load demand, identifying fault code at a glance, easy maintenance and fault diagnosis
- With network connection and remote control functions
- Use supercooled coil to improve energy efficiency, operating well in the extreme condition of high ambient temperature (43°C)
- Low-temperature liquid spray adopted, ensuring operation reliability under extreme ambient temperatures, and that the parameters are in a stable and moderate range

## Application Scenarios



### Medium / small cold storage

Hotel cold storage, chain restaurant, front warehouse, food cold storage with small and medium-sized low-temperature cold storage

Room temperature: -35°C ~ +5°C

\* Line pressure drop also needs to be taken into account



### Supermarket

Used for remote freezer with evaporating temperature > -30°C

Applicable Model: AGDF

## Naming Rule

**GQH015PS4COX**

Internal Design Serial Number

Form of Power Supply (Allowable Voltage Fluctuation Range±10%)

1: 208-203V/1PH/60Hz

3: 200-230V/3PH/60Hz

4: 380-400V/3PH/50Hz;460V/3PH/60Hz

5: 230V/1PH/50Hz

9: 380V/60Hz

Number of Compressor

S-Single Compressor

D-Double Compressors

Refrigerant

H-AB Alkylbenzene Oil / P-Ester (Ether) Oil

Nominal Capacity of Unit, kBtu/h@60Hz, ARI

Application Temperature of Unit

H – Medium Temperature

L – Low Temperature

Hermetic Air-cooled Compressor Condensing Unit

## Technical Parameters

GQL		GQL015PS4 COX	GQL018PS4 COX	GQL021PS4 COX	GQL015PS4 COX	GQL018PS4 COX	GQL021PS4 COX
Refrigerant		R404A					
Casing Type		M3	M3	M3	M3	M4	M4
R404A	Nominal Cooling Capacity [kW]	2.28	2.67	3.47	4.39	6.09	7.01
	Nominal Input Power [kW]	1.69	2.04	2.47	2.88	3.85	4.33
COP		1.35	1.31	1.40	1.52	1.58	1.62
Compressor	Quantity	1	1	1	1	1	1
	Model	ZSI06KQET	ZSI09KQET	ZSI11KQET	ZSI14KQET	ZSI18KQET	ZSI21KQET
Crankcase Heating Belt	Nominal Power [HP]	1x2	1x3	1x4	1x5	1x6	1x7
	Quantity x Power [W]	1x65	1x65	1x65	1x65	1x75	1x75
Noise		53	53	56	56	60	60
Fan motor	Quantity x Diameter [mm]	1xØ500	1xØ500	1xØ500	1xØ500	2xØ500	2xØ500
	Air Volume [m <sup>3</sup> /h]	4043	4043	4043	4043	7060	7060
Total Current	Fan Nominal Current [A]	0.6	0.6	0.6	0.6	1.2	1.2
	Compressor Starting Current [A]	34.8	34.8	47	47	67	90.5
	Compressor Max. Continuous Current [A]	5.7	6.7	7.5	9.2	13.2	14.6
Factory Setting for Over Current Protection [A]		6	7	10	11	13	16
Reservoir Volume [L]		6	6	6	6	8	8
Lubricating Oil		RL 32-3MAF/RL 32H					
Oil Charge [L]		0.74	0.74	1.36	1.36	1.89	1.89
Connection	Gas Return [inch]	5/8"	5/8"	3/4"	3/4"	3/4"	3/4"
	Liquid Line [inch]	1/2"	1/2"	1/2"	1/2"	1/2"	1/2"
Dimension		mm				mm	
Weight		kg				kg	

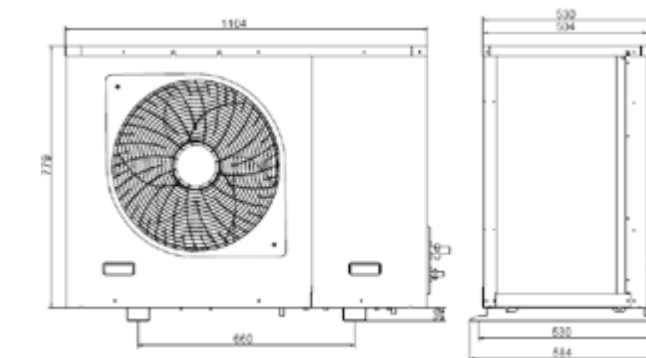
(1) Testing conditions of nominal cooling capacity and nominal power: National standard medium temperature working conditions SST -23°C, ambient temperature 32°C, gas return temperature 5°C.

(2) Noise measurement standard: dB(A)@1m, different operating environment may lead to different noise values. Affected by wall sound reflection and other factors may lead to differences between measured values and nominal values at the installation field. Acoustic attenuation due to distance only exists in theory. Sound reflection and resonance may lead to different results of measurement, including total noise and frequency.

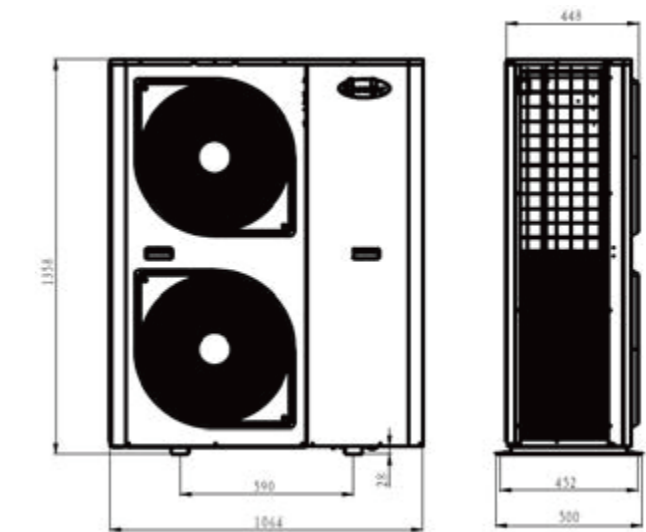
(3) Low temperature model crankcase heating belt needs to be equipped 2 models



M3



M4



## Variable Condition Parameters

### SST: -30° C

GQL	Ambient Temperature							
	27°C		32°C		38°C		43°C	
	Q kW	P kW	Q kW	P kW	Q kW	P kW	Q kW	P kW
006PS4COX	1.84	1.49	1.67	1.61	1.46	1.76	1.18	2.06
009PS4COX	2.35	1.80	1.79	1.91	1.81	2.17	1.59	2.43
011PS4COX	2.84	2.13	2.59	2.33	2.39	2.64	2.20	2.99
015PS4COX	3.83	2.50	3.51	2.79	3.06	2.99	2.73	3.48
018PS4COX	5.11	3.22	4.75	3.59	4.25	4.13	3.79	4.60
021PS4COX	5.64	3.66	5.27	3.96	4.66	4.35	4.26	4.89

### SST: -25° C

GQL	Ambient Temperature							
	27°C		32°C		38°C		43°C	
	Q kW	P kW	Q kW	P kW	Q kW	P kW	Q kW	P kW
006PS4COX	2.24	1.53	2.10	1.67	1.87	1.75	1.46	2.08
009PS4COX	2.79	1.86	2.43	1.91	2.24	2.26	1.99	2.48
011PS4COX	3.59	2.11	3.21	2.44	2.88	2.69	2.53	3.02
015PS4COX	4.55	2.58	4.17	2.86	3.70	3.12	3.28	3.59
018PS4COX	6.17	3.42	5.79	3.84	5.07	4.18	4.52	4.64
021PS4COX	6.67	3.86	6.51	4.23	5.62	4.56	5.25	5.03

### SST: -20° C

GQL	Ambient Temperature							
	27°C		32°C		38°C		43°C	
	Q kW	P kW	Q kW	P kW	Q kW	P kW	Q kW	P kW
006PS4COX	2.75	1.59	2.57	1.61	2.19	1.81	1.80	2.11
009PS4COX	3.41	1.94	2.97	2.07	2.77	2.35	2.42	2.57
011PS4COX	4.32	2.22	4.02	2.51	3.59	2.81	3.15	3.07
015PS4COX	5.59	2.77	5.21	3.13	4.48	3.32	4.13	3.73
018PS4COX	7.37	3.73	6.84	4.03	6.17	4.41	5.57	4.89
021PS4COX	8.10	4.12	7.76	4.47	6.82	4.85	6.37	5.30

### SST: -15° C

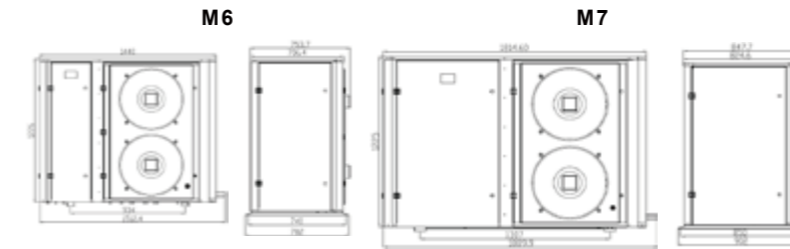
GQL	Ambient Temperature							
	27°C		32°C		38°C		43°C	
	Q kW	P kW	Q kW	P kW	Q kW	P kW	Q kW	P kW
006PS4COX	3.37	1.63	2.99	1.75	2.55	1.85	2.24	2.15
009PS4COX	4.07	2.00	3.58	2.18	3.25	2.45	2.91	2.67
011PS4COX	5.10	2.32	4.78	2.47	4.16	2.93	3.84	3.17
015PS4COX	6.47	2.93	6.25	3.33	5.34	3.51	4.96	3.96
018PS4COX	8.85	3.99	8.11	4.30	7.31	4.71	6.72	5.12
021PS4COX	9.95	4.45	9.08	4.74	8.10	5.16	7.80	5.64

Notes: the variable condition data is based on the national standard GB/T 21363 requirements, return temperature 5°C.

## Technical Parameters

### Technical Parameters of LT Fixed Speed CDU (>7HP) 380V/3PH/50Hz

GQL		GQL036PS4COX	GQL050PS4COX	GQL072PS4COX
HP		9	12	16
Refrigerant		R404A		
Casing Type		M6	M6	M7
R404A	Nominal Cooling Capacity (1)	10.97	15.12	20.60
	Nominal Input Power (1)	5.77	7.81	11.16
COP		1.90	1.94	1.85
Compressor	Quantity	1	1	2
	Model	ZFI36KQE	ZFI50KQE	ZFI36KQE
	Nominal Power	1x8	1x10	1x4
Crankcase Heating Belt	Quantity x Power	1x75	190	2x75
Noise	dB(A)	(2)		
Fan Motor	Quantity x Diameter	mm	1xØ500	1xØ500
	Air Volume	m³/h	10540	10540
	Fan Nominal Current	A	2x0.7	2x0.7
Total Current	Compressor Starting current	A	1x102	1x100
	Compressor Nominal Current	A	1x16	1x25
Factory Setting for Over Current Protection	A	16	25	16x2
Reservoir Volume	L	8	14	19
Lubricating Oil		RL 32-3MAF/RL 32H		
Oil Charge	L	0.74	0.74	1.36
Connection	Gas Return	inch	7/8"	1-3/8"
	Liquid Line	inch	5/8"	5/8"
Dimension		1525X754X1257		1870X873X1257
Weight	kg	225	249	323



(1) Testing conditions of nominal cooling capacity and nominal power: National standard medium temperature working conditions SST -23°C, ambient temperature 32°C, gas return temperature 5°C.  
 (2) Noise measurement standard: dB(A)@1m, different operating environment may lead to different noise values. Affected by wall sound reflection and other factors may lead to differences between measured values and nominal values at the installation field. Acoustic attenuation due to distance only exists in theory. Sound reflection and resonance may lead to different results of measurement, including total noise and frequency.

### Model Selection Table of LT Fixed Speed CDU (>7HP) 380V/3PH/50Hz

SST	R404A	Ambient Temperature									
		27 °C		32 °C		38 °C		43 °C		48 °C	
	GQL	Q(kW)	P (kW)	Q(kW)	P (kW)	Q(kW)	P (kW)	Q(kW)	P (kW)	Q(kW)	P (kW)
-40 °C	GQL036PS4COX	5.82	4.07	5.63	4.45	5.44	5.11	5.17	5.91	4.87	6.36
	GQL050PS4COX	8.40	5.61	8.06	6.32	7.53	6.95	7.11	8.43	6.18	9.31
	GQL072PS4COX	10.98	7.54	10.71	8.36	10.81	9.94	11.53	11.09	9.08	9.96
-35 °C	GQL036PS4COX	7.17	4.38	7.06	4.85	6.55	5.31	6.37	5.99	5.93	6.77
	GQL050PS4COX	9.99	5.95	9.76	6.62	9.36	7.50	7.98	8.98	7.59	9.61
	GQL072PS4COX	13.55	8.32	13.27	9.13	12.94	10.24	11.88	11.38	10.83	12.74
-30 °C	GQL036PS4COX	8.63	4.72	8.47	5.16	7.96	5.72	7.69	6.28	7.27	7.09
	GQL050PS4COX	12.00	6.35	11.57	7.11	10.38	9.05	9.71	9.47	9.47	10.00
	GQL072PS4COX	16.49	9.15	16.22	9.89	15.10	10.81	15.11	11.94	13.67	13.69
-25 °C	GQL036PS4COX	10.34	5.07	10.17	5.58	9.98	6.21	9.11	6.74	8.67	7.51
	GQL050PS4COX	14.21	6.93	14.04	7.59	11.91	9.83	11.96	9.91	11.32	10.46
	GQL072PS4COX	19.85	9.99	19.41	10.60	18.89	11.33	17.34	12.66	17.37	14.12
-20 °C	GQL036PS4COX	12.62	5.43	12.45	5.88	11.79	6.59	10.62	7.24	10.34	8.01
	GQL050PS4COX	16.89	7.61	16.83	8.15	14.20	10.45	14.20	10.19	13.50	11.16
	GQL072PS4COX	23.70	10.58	23.44	11.21	20.99	12.83	21.56	14.15	19.27	15.23
-15 °C	GQL036PS4COX	14.53	5.73	13.96	6.28	13.70	7.02	12.83	7.85	/	/
	GQL050PS4COX	19.52	8.27	19.28	9.05	18.03	9.91	16.61	10.83	15.61	11.77
	GQL072PS4COX	27.35	10.73	26.77	12.37	25.68	13.24	28.97	14.43	/	/
-10 °C	GQL036PS4COX	17.37	6.08	16.21	6.64	15.53	7.60	14.90	8.74	/	/
	GQL050PS4COX	23.14	9.10	21.84	9.60	20.70	10.34	19.04	11.56	18.35	12.46
	GQL072PS4COX	33.97	10.88	31.98	13.77	30.92	14.75	28.75	16.02	/	/

Notes: the variable condition data is based on the national standard GB/T 21363 requirements, return temperature 5°C.