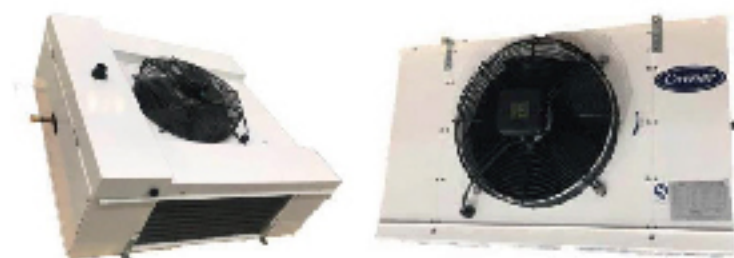


# Air Cooler

## Pleasure Series

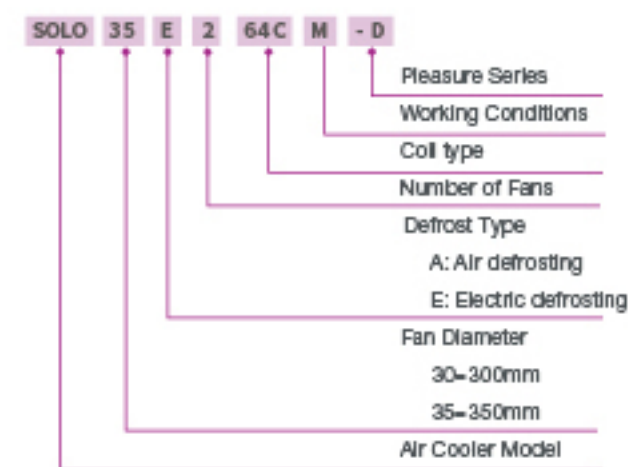


## Customer Value

- Multiple choices, more applications
- Adapt to various humidity and temperature applications
- Suitable for cold storage and processing rooms with -18°C ~ +10°C storage temperature requirements.
- High-efficiency defrosting, saving operating costs, and small fluctuations in storage temperature, ensuring safe and fresh goods.
- High heat exchange efficiency, lower energy consumption and faster cooling speed, energy saving by ~ 5 - 10%
- Convenient for maintenance
- Longer service life, more convenient cleaning and maintenance, reduce maintenance costs

\* Testing and comparing with the same series of single-outlet air cooler of competitors

## Naming Rule of Air Cooler



## Product Features

- The cooling capacity is 1.4kw ~ 20.7kw, including two categories SOLO/DUO of 27 models .
- 4.5mm and 6.3mm fin spacing design, more flexible choice
- Suitable for the working condition of SC1 \ SC2 \ SC3, and apply to more scenarios
- Electric defrosting, air defrosting optional
- Short defrost time, high efficiency, and low energy consumption
- High efficiency corrugated fin + internal thread heat exchange tube, increased heat exchange area, higher heat exchange efficiency
- Side panel hinge design
- High pressure powder spraying double coating on outer surface

## Market Positioning and Application

### Pleasure Series - Single-outlet - SOLO

- 30 different models
- Cooling capacity: 1.4 kW – 26.5 kW
- Suitable for SC1, SC2, SC3 conditions

-18 °C to + 10 °C logistics cold storage, supermarket distribution warehouse, small and medium cold storage.

### Pleasure Series - Double-outlet - DUO

- 16 different models
- Cooling capacity: 2.7 kW – 20.7 kW
- Suitable for SC1, SC2 conditions

0 °C to + 10 °C operating room, processing room, medium and high temperature fruit and vegetable warehouse, laboratory.

## Non-standard Option

Item	Non-standard Parts	Pleasure Series SOLO/35	Pleasure Series DUO35
1	Coil protective coating (Blygold, Hydrophilic aluminum foil, electrophoresis, etc)	Non-standard	Non-standard

## Neutral Salt Spray Test of Coil Coating

Type of anticorrosive coating	Neutral salt spray test (h)
Hydrophilic aluminum foil	500
Vinyl coating	500
Blygold coating	>1000

## Product Model

Column Number	Product Model	Type	Quantity of Fans	Rows	Fin Spacing	L x W x H	Applicable Conditions	
SOLO30 /35	SOLO30(A/E)144BM-D	Single-outlet	1	4	4.5mm	790 x 460 x 470	SC1 / SC2	
	SOLO30(A/E)244BM-D		2	4		1265*460*470		
	SOLO35(A/E)144CM-D		1	4		840 x 460 x 520		
	SOLO35(A/E)164CM-D		1	6		840 x 460 x 520		
	SOLO35(A/E)244CM-D		2	4		1365 x 460 x 520		
	SOLO35(A/E)264CM-D		2	6		1365 x 460 x 520		
	SOLO35(A/E)344CM-D		3	4	1880 x 460 x 520			
	SOLO35(A/E)364CM-D		3	6	1880 x 460 x 520			
	SOLO35(A/E)444CM-D		4	4	2395 x 460 x 520			
	SOLO35(A/E)464CM-D		4	6	2395 x 460 x 520			
	SOLO30E146BL-D		1	4	6.3mm	790 x 460 x 470		SC2/SC3
	SOLO30E246BL-D		2	4		1265*460*470		
SOLO35E146CL-D	1	4	840 x 460 x 520					
SOLO35E166CL-D	1	6	840 x 460 x 520					
SOLO35E246CL-D	2	4	1365 x 460 x 520					
SOLO35E266CL-D	2	6	1365 x 460 x 520					
DUO 35	SOLO35E346CL-D	Double-outlet	3	4	4.5 mm	1880 x 460 x 520	SC1 / SC2	
	SOLO35E366CL-D		3	6		1880 x 460 x 520		
	SOLO35E446CL-D		4	4		2395 x 460 x 520		
	SOLO35E466CL-D		4	6		2395 x 460 x 520		
	DUO35A144C(H/M)-D		1	4		4.5 mm		795 x 795 x 350
	DUO35A244C(H/M)-D		2					1260 x 795 x 350
	DUO35A344C(H/M)-D							1725 x 795 x 350
DUO35A444C(H/M)-D	3	4.5 mm	2190 x 795 x 350					
DUO35A144C(H/M)-D								
DUO35A244C(H/M)-D								
DUO35A344C(H/M)-D	4	4.5 mm	2190 x 795 x 350					
DUO35A444C(H/M)-D								